

SCROLL PUMP

ISP-500c
21.2 CFM

Iwata ISP-500C Scroll Vacuum Pump

The Iwata ISP-500C is the right combination of size, performance and low cost. A compact, reliable vacuum pump designed for use on clean processes. Not suitable for use with explosives, flammable, toxic, corrosive substances or particles that contain powders. To pump condensable vapors or to pump down from atmospheric pressure in a humid environment (for example, if relative humidity exceeds 60%), you must use the gas ballast that comes with the pump. This pumps is air cooled with an hour counter. Light, oil free and little routine maintenance.



Technical Data For ISP-500C Dry Scroll Pump

Displacement	
50 Hz	30 m ³ h ⁻¹ / 17.6 ft ³ min ⁻¹
60 Hz	36 m ³ h ⁻¹ / 21.2 ft ³ min ⁻¹
Peak pumping speed	
50 Hz	25 m ³ h ⁻¹ / 16.1 ft ³ min ⁻¹
60 Hz	30 m ³ h ⁻¹ / 17.6 ft ³ min ⁻¹
Ultimate total vacuum	1 x 10 ⁻² mbar / 7.5 x 10 ⁻³ Torr
Inlet connection	NW40
Outlet connection	NW25
Maximum allowed inlet pressure	1000 mbar
Maximum allowed outlet pressure	1150 mbar
Motor power	0.6 kW
Electrical supply	
1-phase, 50Hz	100/200/230 V
1-phase, 60Hz	100/115/200/230 V
3-phase, 50Hz	200/380/415 V
3-phase, 60Hz	200/208/230/460 V
Recommended contactor rating, 3-ph	
200-230 V	5 A
380-460 V	3 A
Enclosure rating	IP44
Leak tightness (static)	10 ⁻⁴ mbar l s ⁻¹
Operating temperature range	5 to 40 °C / 41 to 104 °C
Weight	
3-phase pump	40 kg / 88 lbs
1-phase pump	46 kg / 101 lbs

Applications

- Rare gas re-circulation
- Gel drying
- Rotary evaporation
- Centrifugal concentration
- Vacuum ovens
- Glove boxes
- Scanning electron microscopes
- Ion implanters (beamline and end stations)
- General clean pumping applications
- Sputtering
- Turbo pump backing
- Ideal for chamber roughing

Features

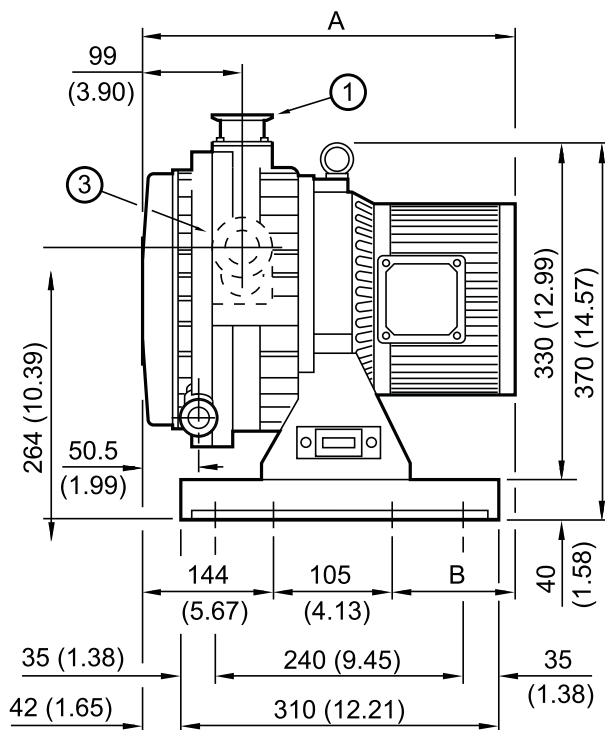
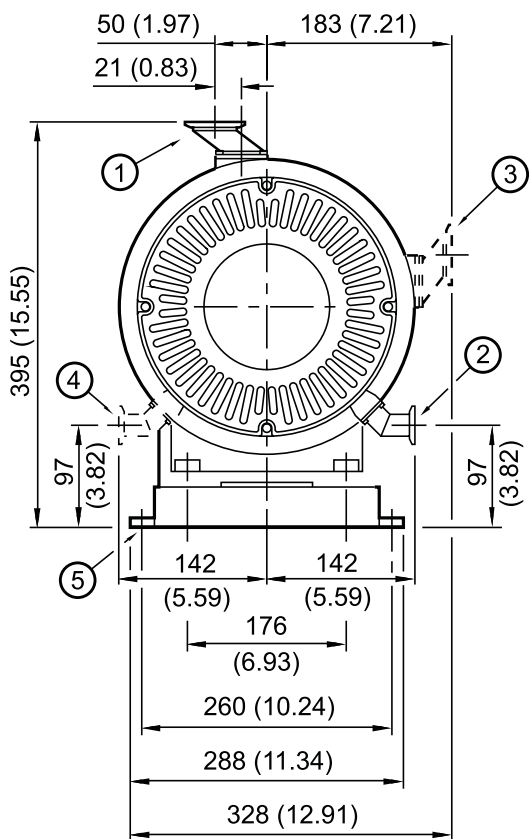
- Low ultimate pressure
- High pumping speed
- Contamination Free, no oil maintenance or disposal
- Cost-effective ready to use
- Maximum inlet pressure to 760 Torr

[To Our Website
idealvac.com](http://www.idealvac.com)



Ideal Vacuum Products, LLC
2401B Phoenix Ave. NE
Albuquerque, NM 87107
Phone: (505) 872-0037
idealvac.com or pchemlabs.com

Iwata ISP-500c Dry Scroll Vacuum Pump Dimensions



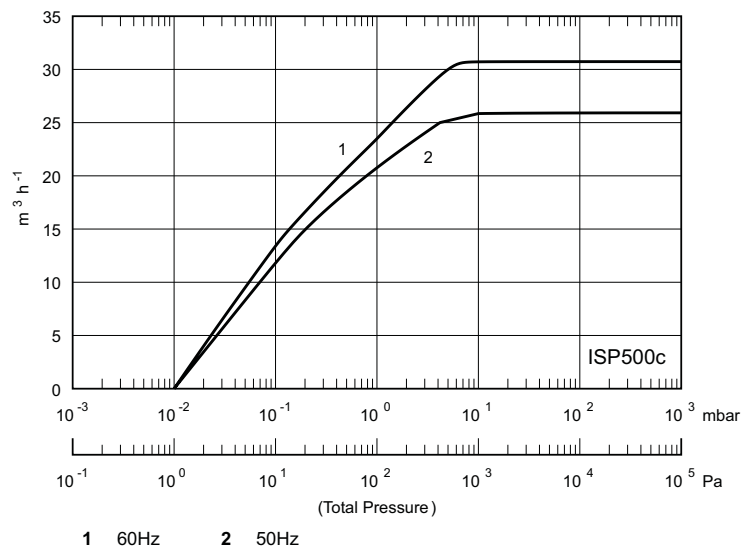
A = 443 (1-phase), 372 (3-phase)

B = 194 (1-phase), 123 (3-phase)

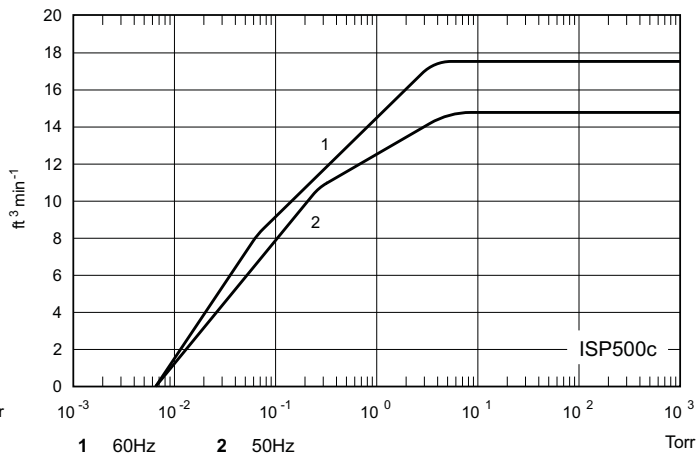
- 1 Inlet-port (NW40)
- 2 Outlet-port (NW25)
- 3 Alternative inlet
- 4 Alternative outlet
- 5 4 mounting holes for M8 bolts



Speed Curves for ISP-500c



Iwata Anest ISP-500c Dry Scroll Vacuum Pump



To Our Website
idealvac.com



Ideal Vacuum Products, LLC
 2401B Phoenix Ave. NE
 Albuquerque, NM 87107
 Phone: (505) 872-0037
idealvac.com or pchemlabs.com